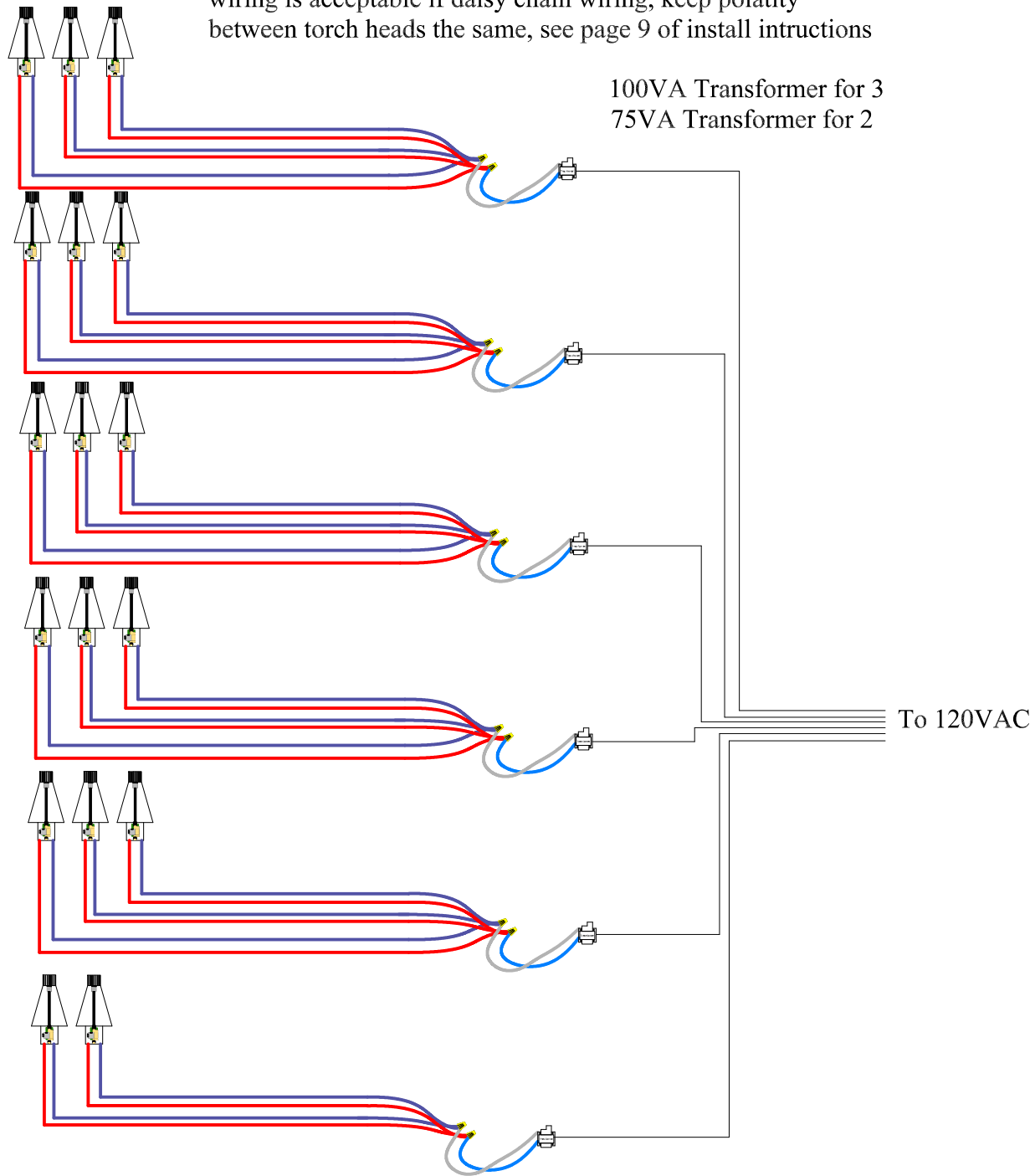


Wiring shown is 3 home runs, however daisy chain wiring is acceptable if daisy chain wiring, keep polarity between torch heads the same, see page 9 of install instructions



100VA Transformer for 3
75VA Transformer for 2

To 120VAC