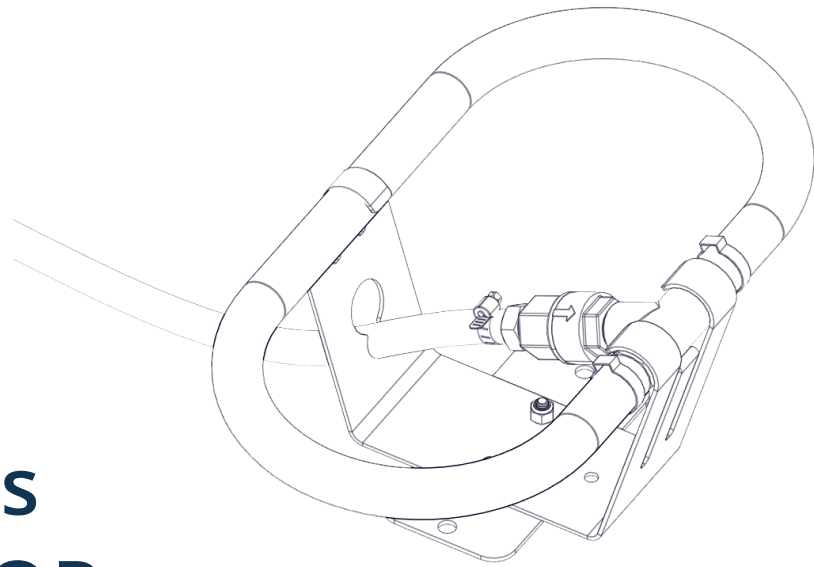




MOVING WATER FORWARD, SINCE 1968



Home Series SINGLE-LOOP DIFFUSER ASSEMBLY

Assembly & Installation Manual

Document number 772202
Document version 2024.1.0

800 Deere Rd. Prescott, WI 54021 | 715.262.4488 | support@kascomarine.com | kascomarine.com

TABLE OF CONTENTS

Safety First.....	2
Suggested Tools & Supplies.....	2
Installation Suggestions.....	2
Parts Included.....	3
Assembly Instructions.....	4
Installation Instructions.....	5
Replacement Parts.....	6
Warranty.....	7
Other Repairs.....	8
Repair Contact Form.....	9

QUESTIONS?



715.262.4488



kascomarine.com | support@kascomarine.com

SAFETY FIRST

IMPORTANT: PLEASE READ THIS MANUAL AND SAVE FOR FUTURE REFERENCE

WARNINGS:



Electrical Shock Hazard

- Use caution when dealing with any electrical equipment.
- Use caution around water.
- Running the system in conditions below freezing may create open areas of water at the diffuser locations and thin ice in the surrounding area.
- Some areas require warning signs to be posted. The system owner will assume all risks of operating the diffused aeration system during winter months. Check your local laws and ordinances.
- Do not use boats that tip easily, such as canoes, for installation. Follow all boating safety rules and regulations, including wearing a PFD (Personal Flotation Device).
- Consult a qualified electrician for electrical installation.

SUGGESTED TOOLS & SUPPLIES

- 7/16" socket wrench with shaft extension or 7/16" nut driver
- Adjustable wrench
- Flathead screw driver or 1/4" nut driver
- Retrieval ropes longer than the desired installation depth (optional)
- Marker buoy (optional)

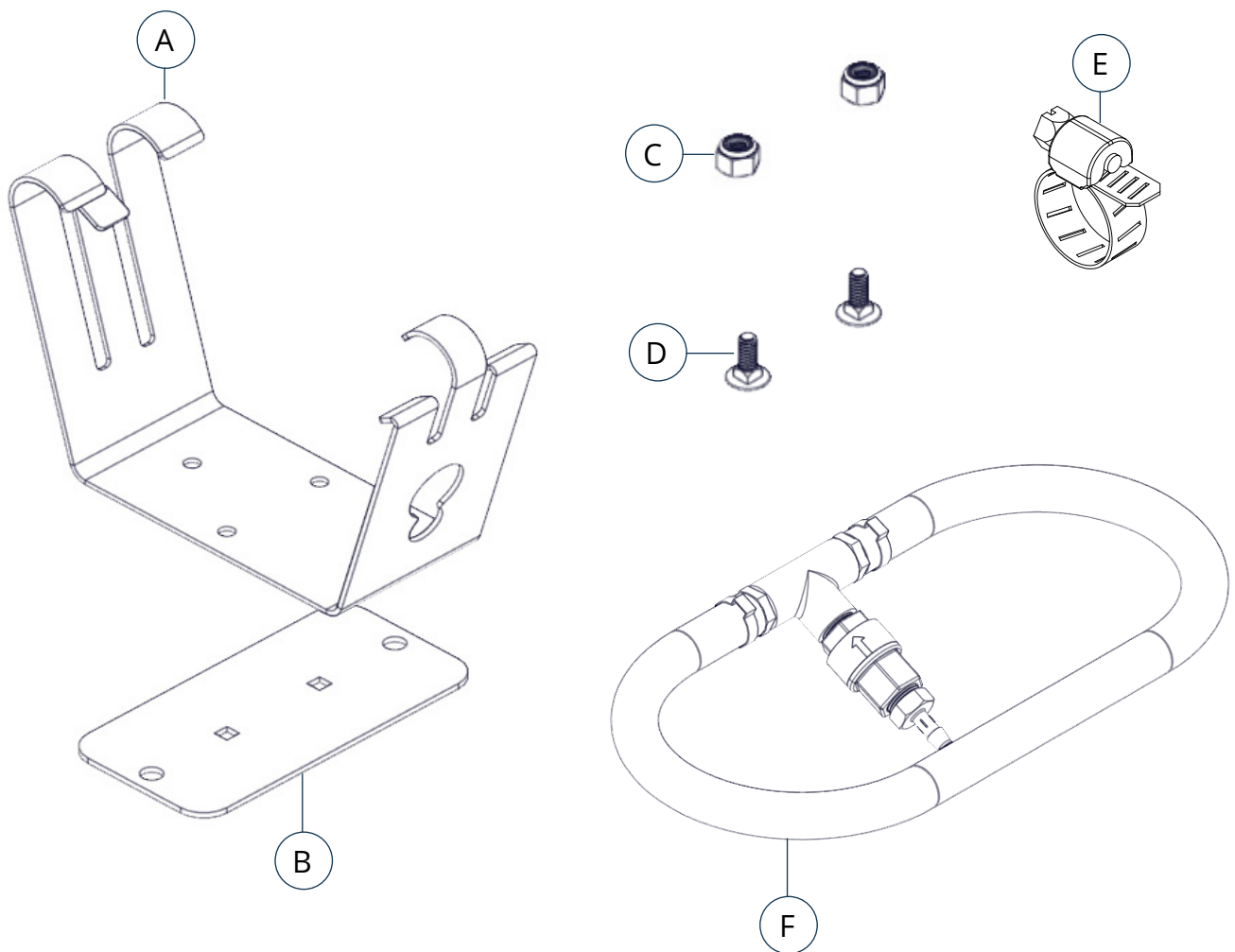
INSTALLATION SUGGESTIONS

Make sure to unroll any SureSink Tubing before installing the diffuser. Unrolling the tubing will make it less likely to kink during installation. Also make sure to unroll and connect any additional SureSink Tubing before going to the installation site.

Use a retrieval rope and marker buoy to allow for easy retrieval during maintenance or relocation of the diffuser.

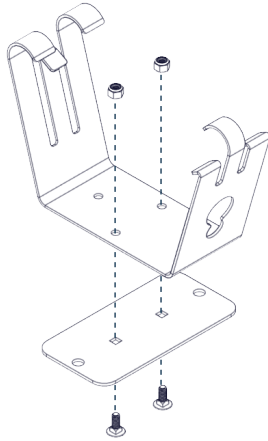
PARTS INCLUDED

Item	Description	Qty.
A	Diffuser substrate	1
B	Baseplate	1
C	1/4-20 nylon locknut	2
D	1/4-20 x 5/8" carriage bolt	2
E	Hose clamp	1
F	Tubing assembly	1

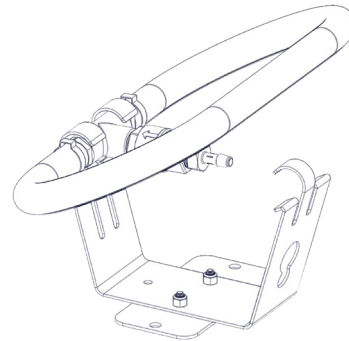


ASSEMBLY INSTRUCTIONS

- 1 Attach the diffuser substrate (A) to the baseplate (B) using the carriage bolts (D) and the nylon locknuts (C).

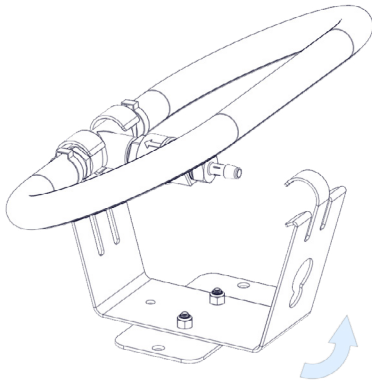


- 2 Hook the two-pronged side of the substrate (A) around the tee fitting of the tubing assembly (F).

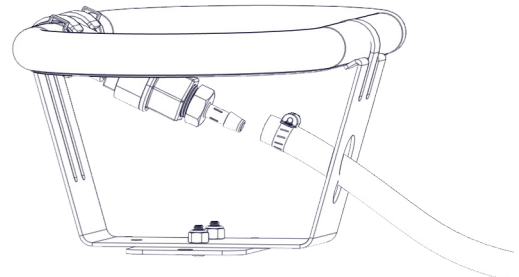


NOTE  Ensure that the blue line on the tubing assembly is facing down.

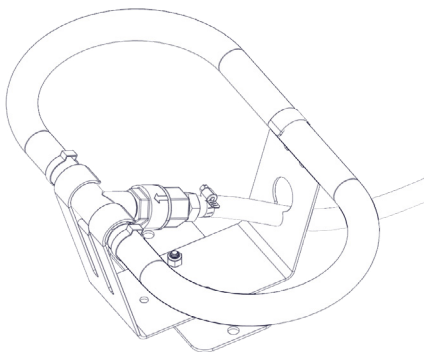
- 3 Pivot the single-pronged side of the substrate (A) up and over the other side of the tubing assembly (F).



- 4 Angle the tee fitting toward the keyhole cutout on the substrate (A). Run the SureSink tubing through the wider part of the hole and secure it to the barb fitting with the hose clamp (E).



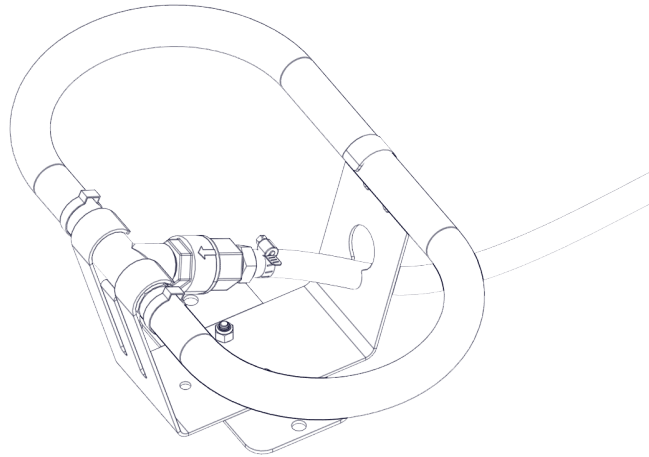
- 5 Firmly press the SureSink tubing into the narrower part of the keyhole to create a strain relief for the diffuser.



INSTALLATION INSTRUCTIONS

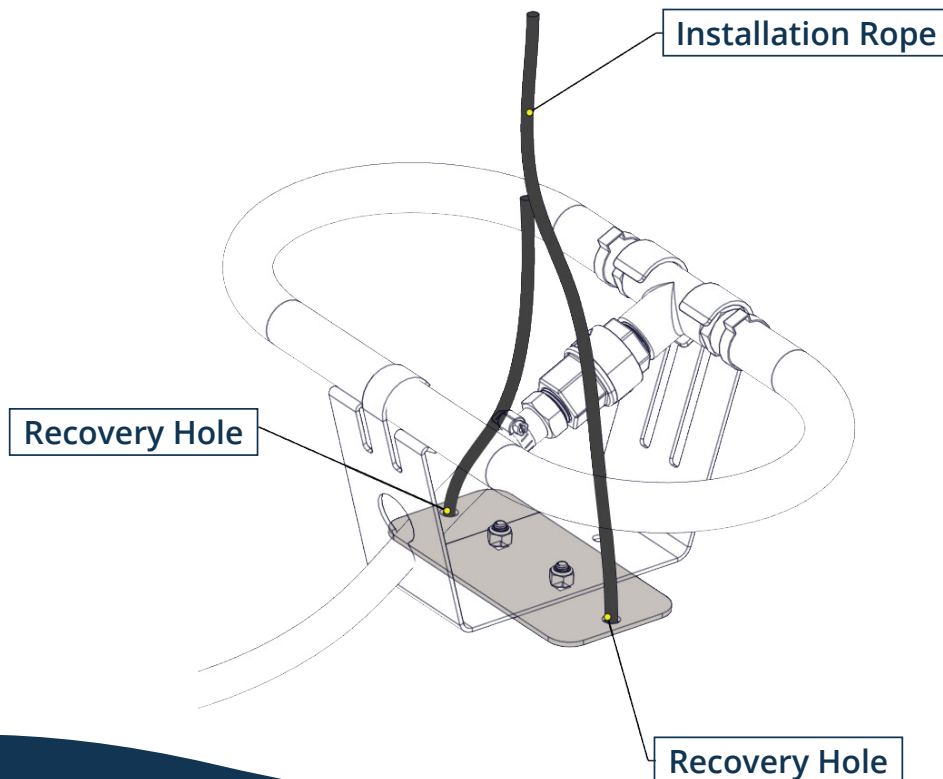
Water Installation

With the SureSink Tubing in place, the diffuser is ready to install. If you are unsure how many feet of tubing you will need, bring the SureSink Tubing out with you and connect the tubing needed on the way back.



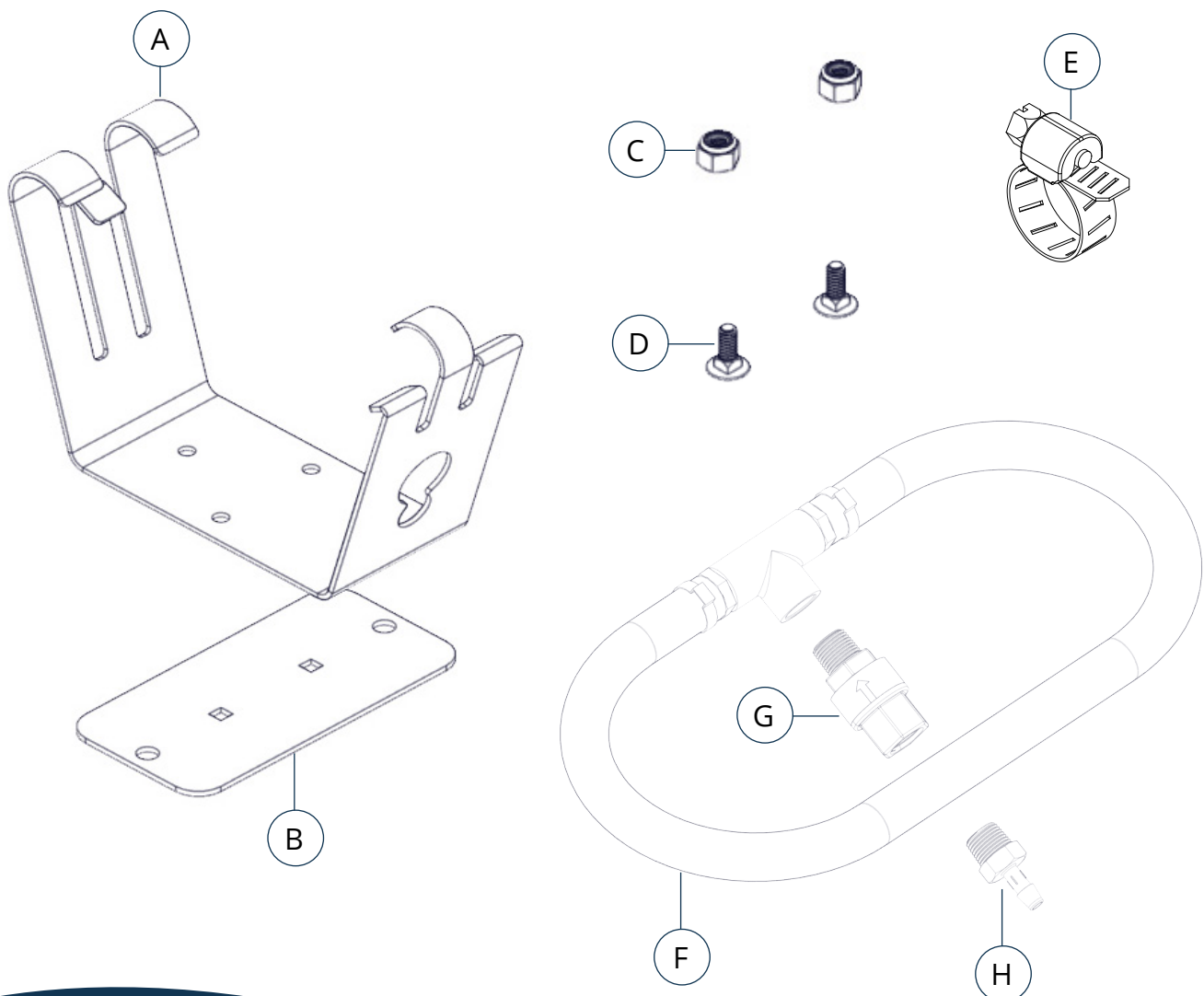
Optional Step

Once at the desired location, thread a rope through the two retrieval holes on one side of the diffuser base. Pull the rope through the holes until its midpoint is centered between the retrieval holes. Slowly lower the diffuser until it reaches the bottom of the pond and tie the installation rope to a marker buoy. Doing this will allow for easier maintenance in the future and also will notify others of the diffuser's location. Repeat the steps for additional diffuser locations.



REPLACEMENT PARTS

Item	Part #	Description	Qty.
A	772030	Diffuser substrate	1
B	772201	Baseplate	1
C	451100	1/4-20 nylon locknut	2
D	772034	1/4-20 x 5/8" carriage bolt	2
E	773008	Hose clamp	1
F	772014	Replacement tube	1
G	772033	Inlet check valve	1
H	773012	3/8" barb fitting	1



WARRANTY

Warranty Period: Lifetime

Kasco® Marine, Inc. warrants this diffuser assembly to be free from defects in material or workmanship under normal use and service. The Kasco Marine, Inc. obligation under this warranty is limited to replacing or repairing free of charge any defective part within the warranty period. The customer shall pay shipping charges for returning the unit to Kasco or an Authorized Repair Center.

THIS WARRANTY IS IN LIEU OF ANY OTHER WARRANTIES, EXPRESSED OR IMPLIED, AND ANY OTHER OBLIGATION OR LIABILITY WHATEVER ON THE PART OF KASCO MARINE, INC. AND IN NO EVENT SHALL KASCO MARINE, INC. BE LIABLE FOR ANY SPECIAL OR CONSEQUENTIAL DAMAGES.

Warranty is void if:

- The assembly is not maintained properly according to the maintenance recommendations supplied in this manual.
- The assembly is damaged by unauthorized tampering.

Warranty Claim Procedure

The best method for establishing warranty period is via the original receipt. Also, register the unit online at: www.kascomarine.com. Once the warranty coverage has been established, the unit may be sent to any Kasco Authorized Repair Center for evaluation and repair. Please call Kasco at 715-262-4488 prior to shipping to receive any updated information and/or Repair Form, or call to locate your nearest Authorized Repair Center. You can also email Kasco at support@kascomarine.com.

Please include the repair form received from Kasco or your local distributor with the shipment. If no repair form is available, include your name and physical address for return delivery of the repaired unit and a daytime phone number and/or email address for correspondence regarding the warranty claim. Any expedited shipping method for the return of the unit is at the customer's expense. Kasco will return units repaired under warranty at our expense via ground freight within the continental United States.



Please attach a repair form with the shipment. The repair form must include a name, physical address (for return delivery of the repaired unit), daytime phone number, and an e-mail address for correspondence regarding the warranty claim.

Any expedited shipping method for the return of the unit is at the customer's expense. Kasco will return units repaired under warranty at our expense via ground freight within the continental United States.

OTHER REPAIRS

Most failed equipment can be repaired at substantially lower costs than replacement with new equipment. Please ship according to the instructions provided.

Kasco does estimates on repairs at the request of the customer. The request for an estimate should be included in the letter that accompanies the returned unit and must include a daytime phone number and/or email address. Estimate options are as follows:

- We will contact the customer with a total estimated cost for repairs after we have evaluated the unit but before we perform the work.
- We will repair the unit only if repair costs are under a dollar amount stated by the customer. Example: "Please repair if total is under \$150.00 before shipping charges."

All estimates that are rejected for repair will be destroyed unless otherwise directed by the customer. If the customer would like the unit returned, we will restore the unit as closely as possible to the condition in which we found it and ship at the customer's expense (including shipping and handling charges).

Billing: Kasco accepts Visa and MasterCard credit card payments. Kasco will call for credit card information upon completion of the estimate at the customer's request. All other warranty and repair inquiries should be directed to Kasco at 715-262-4488 or repairs@kascomarine.com

CONTACT US



Kasco Marine
800 Deere Road
Prescott, WI 54021



715.262.4488



kascomarine.com | support@kascomarine.com

REPAIR CONTACT FORM

- Kasco requires that all equipment sent for repair MUST be accompanied by this form and marked to Repairs attention.
- Unit should be cleaned before shipping.
- Kasco is NOT responsible for shipping damage accrued in return shipment.
- It is the responsibility of the customer to ship and pay freight to Kasco.

Kasco Marine
800 Deere Road
Prescott, WI 54021
Attn: Repairs

Note: Contact information should be that of the person or company to contact for repair information.

Company name			
Contact name	First name	Last name	
Address	Street		
	City		
	State		
	ZIP code		
Phone number	Primary	Alternate	
Email address			
Preferred method of contact (circle one)	Phone	Email	
Purchase order number			
Additional product information	Serial Number	Cord Length	
Information for Repair Technician			
Was this unit used in a chemical treatment or wastewater application? (circle one)	Yes	No	
Additional notes			